



## ZS62-D360.53 S5AM

### Pneumatic direct change

Item no. **13303036-01**

HF-Spindle for high-speed milling, -grinding, -drilling, -engraving

#### Bearings

Hybrid ball bearing (pcs)	3
Lifetime lubricated	maintenance free

#### Motor

Motor technology	3-phase synchronous drive (no brushes or sensors)
Frequency	1.000 Hz
Motor poles (pairs)	1
Rated rotation speed	60.000 rpm
Acceleration/braking value Per second	10 000 rpm (other values by consultation)

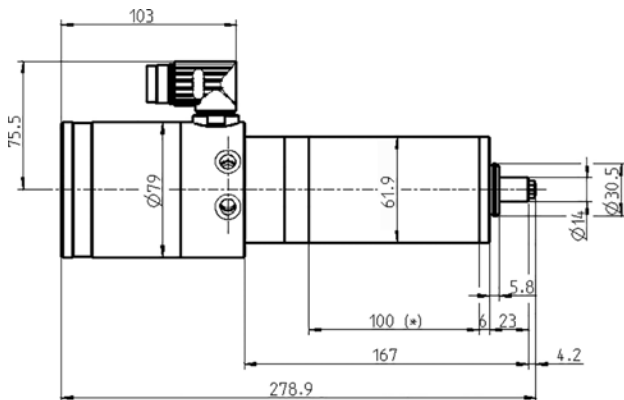
#### Power values

Liquid cooled

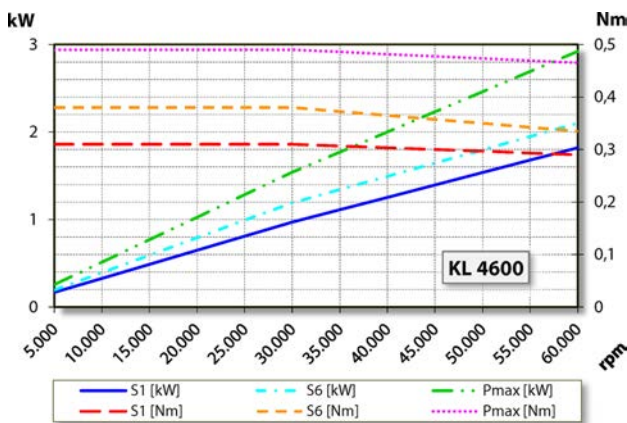
	Pmax./5s	S6-60%	S1-100%	
Rated power	2,9	2,1	1,8	[kW]
Torque	0,49	0,38	0,31	[Nm]
Voltage	178	174	174	[V]
Current	14,7	12	10,5	[A]

**ZS62-D360.53 S5AM**

Pneumatic direct change  
Item no. **13303036-01**



Dimensions



Performance Diagram

Liquid cooled

Measurement of power is funded by in-house testing.

**Characteristics**

Speed sensor	Differential magneto resistor (TTL) Number of signals = 6
Motor protection	Pt1000
Housing	Stainless steel
Housing diameter	61,9 mm
Cooling	Liquid cooled
Ambient temperature	+ 10°C ... + 45°C
Sealing air	
Protection category (sealing air turned on)	IP54
Blow air through collet during tool change	
ESD protection	
Tool change	Pneumatic direct change
Collet type	8/5°
Clamping range up to	6 mm (1/4")
Clockwise	
Coupler plug	9-pin metal
Weight	~ 4 kg
Inner taper run out	< 1 μ